



MY30PGCS Microwave Oven



First Use Safety Recommendation

Please read through this booklet for safe and efficient use of the appliance. We urge you to read all the sections and also follow all detailed instructions even if you are familiar with a similar appliance.

Keep this guide handy for future reference.

MY30PGCS

IMPORTANT SAFEGUARDS

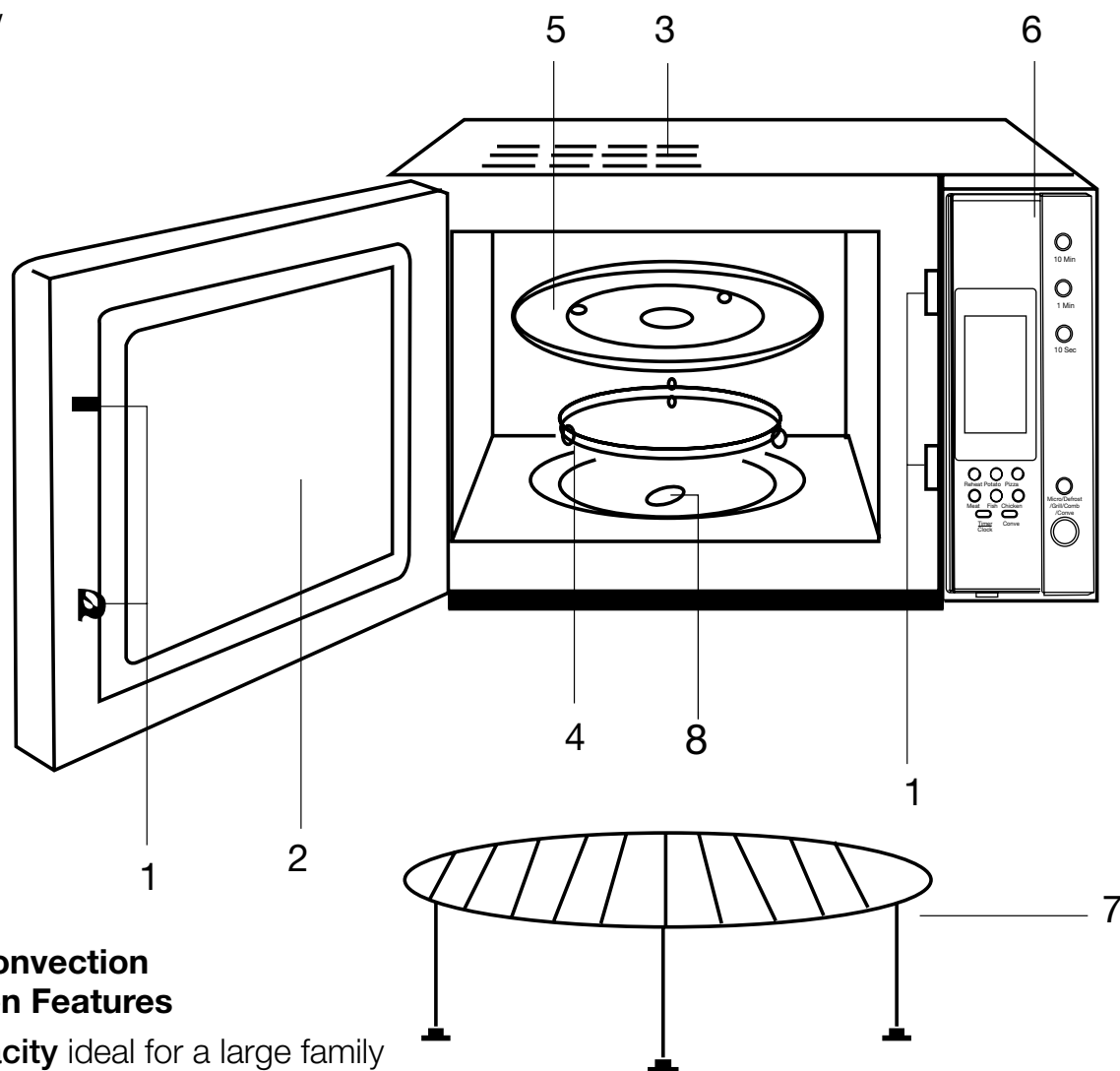
While using electrical appliances, in order to reduce the risk of fire, electric shock, and / or injury to persons, basic safety precautions should be followed, including the following:

- Read all instructions carefully, even if you are familiar with the appliance.
- To protect against the risk of electric shock, **DO NOT IMMERGE** the appliance, cord set or plug in water or other liquids.
- To clean, wipe the exterior with a damp cloth.
- Close supervision is necessary when any appliance is used by or near children. Never leave an appliance unattended when in use.
- Switch off and remove the plug from the power outlet when not in use, before assembling or disassembling parts, cleaning or carrying out any maintenance of the appliance. Never pull the cord while unplugging out from power outlet.
- Do not operate any appliance with a damaged cord or plug, or after the appliance malfunctions, or is dropped or damaged in any manner. Return the complete appliance to your nearest authorised service facility for examination, electrical repair, mechanical repair or adjustment to avoid any hazard.
- The use of attachments or accessories not recommended or sold by this appliance manufacturer may result in fire, electric shock or personal injury.
- Do not let the cord hang over the edge of a table, counter, or touch hot surfaces.
- Avoid touching hot surfaces, use handles and knobs.
- Do not operate or place any part of this appliance on or near any hot surfaces (such as gas or electric burner or in a heated oven).
- Do not abuse the cord. Never carry the appliance by the cord or yank it to disconnect it from the outlet; instead, grasp the plug and pull to disconnect.
- When using an extension cord with your appliance, make sure the extension cord is correctly wired, and rated for its use.
- This product is intended for household use only.
- Do not attempt to repair the appliance yourself; instead, take it to your Black & Decker-owned or Authorised Service Centre for repair.
- Keep children and animals away from the unit and cord set.

SAVE THESE INSTRUCTIONS

Parts Identification

1. Door Safety Lock System
2. Oven Window
3. Oven Air Vent
4. Roller Ring
5. Glass Tray
6. Control Panel
7. Grill Rack
8. Shaft



Your 30 Litre Convection Microwave Oven Features

- **30 Litre capacity** ideal for a large family
- **Convection function** allows cooking at a uniform temperature.
- **Menu action** screen indicates cooking time, power, action indicators, time.
- **Quick Minute Buttons** facilitates easy setting of time and power.
- **Programming buttons** to set cooking programs for either microwave or grill functions
- **Combination buttons** allows you to set a combination cooking session.
- **Weight defrost function** allows you to set the defrosting cycle depending upon the weight of food.
- **Cancel function** overrides all previous settings
- **Memory Function** sets multi stage cooking program.
- **Micro button** sets the cooking power level.
- **Time Setting / Weight knob** performs dual function of time and weight settings.
- **Start button** begins the cooking program
- **Metal rack** for grilling of foods
- **Options** for selecting the desired power level for cooking
- **Child safety lock** for safety of kids
- **Clock function** assists in setting the time of day.
- **Pre-set function** allows you to program at a later cooking time.

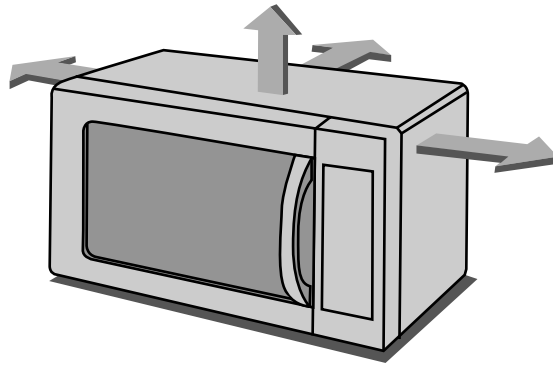
How to install your Microwave Oven:-

Make sure that the packaging material is removed from the inside of the door.

WARNING: Check the microwave oven for any damage, such as misaligned or bent door, damaged door seals and sealing surface, broken or loose door hinges and latches and dents inside the cavity or on the door. The door should fit squarely, securely and close smoothly. The door seals must be free from food and have no burn marks. If there is any damage, please do not operate the microwave oven and contact a qualified service person.

Practical Hints:-

- The microwave oven should be placed on a flat stable surface which can hold the weight of the microwave oven and the heaviest of food likely to be cooked inside.
- Do not place the microwave oven where heat, moisture, or high humidity are generated or near combustible materials.
- For correct operation, the microwave oven must have sufficient airflow. This requires a 30 cms above, 10 cms at the back and 15 cms on both the sides. Do not cover or block any openings.



- Do not remove the feet.
- Do not place anything on top of the oven.
- Do not operate the microwave oven without the glass tray, roller support & shaft in their proper positions.
- Make sure that the power supply cord is undamaged and does not run under the microwave oven or over any hot or sharp surfaces.
- Ensure that the socket is readily accessible so that it can be easily unplugged in case of emergency.
- Do not use the microwave oven outdoors.
- The appliance must be grounded. The oven is equipped with a cord having a grounding wire with a grounding plug. It must be plugged into a wall socket that is properly installed and grounded as it reduces the risk of electric shock in case of short circuit. Using a high voltage is dangerous and may result in a fire or other accidents causing the oven damage.

NOTE: improper use of the grounding plug can result in a risk of electric shock. The microwave oven should be operated on a separate circuit from other appliances. Failure to do so may cause the power board fuse to blow, and or food to cook slower.

How to use your Microwave Oven :-

The appliance is intended to heat, cook or dry food for indoor household use only.

- Arrange the food carefully. Place the thickest area towards the outside of the dish.
- Watch the cooking time. Cook for the shortest amount of time and add more as required. Food severely overcooked can smoke or ignite thereby causing damage.
- Ensure that you cover your food while cooking. Covers prevent splattering and the food cooks evenly.
- Turn the food over once during the cycle to speed cooking of foods such as chicken and burgers. Large items like roasts must be turned over at least once.
- Rearrange foods such as meat balls halfway through the cooking cycle both from top to bottom and center of the dish to the outside.

CONTROL PANEL:-

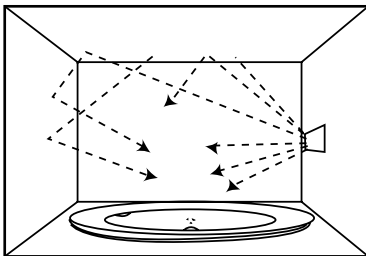
Simple Cooking:

To start cooking press Start/Reset button to start cooking for 1 min with 100% microwave power. With each press of the button the time increases by another minute, the maximum time being 30 minutes.

After cooking is complete for the specified time then the oven will sound 5 beeps as a reminder.

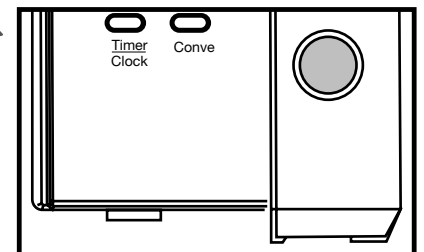
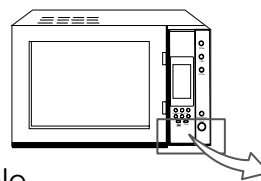
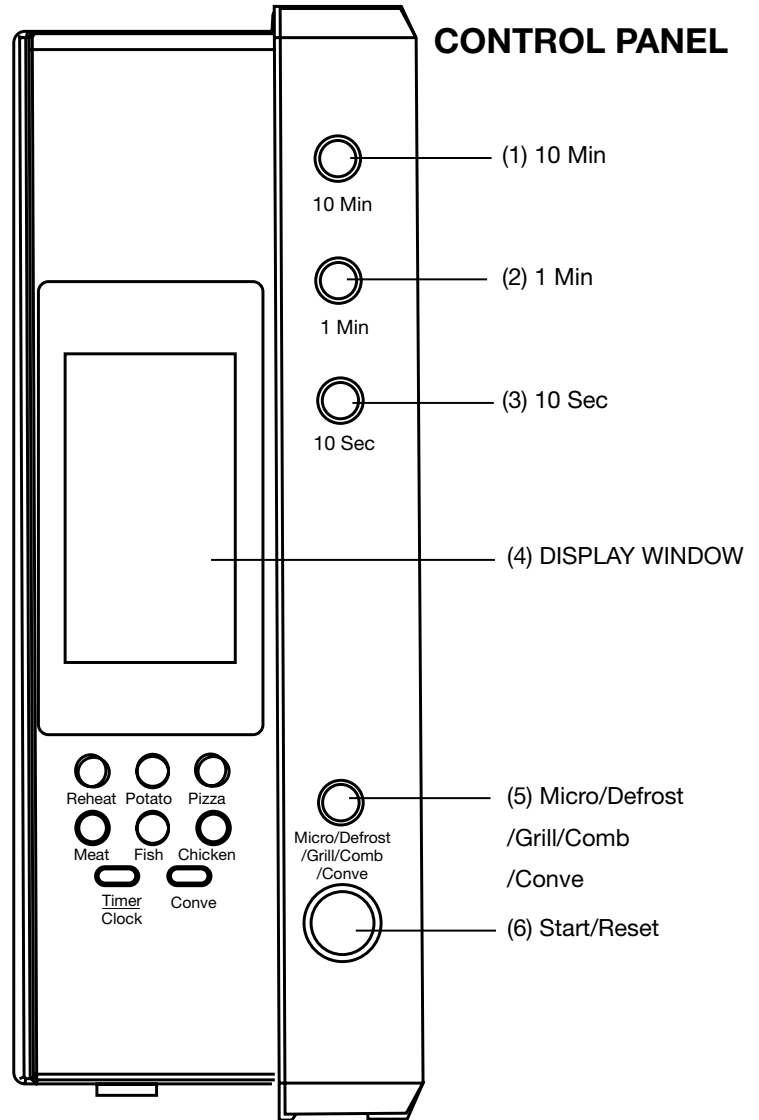
Microwave Cooking

1. Single button Heating function :



By the press of a single button you can operate the microwave for a short interval of time to heat your food e.g to heat a glass of milk.

- Put a glass of milk onto the glass turntable, and close the door.
- Press the button 'Start/Reset'. The microwave will operate at 100% power for one minute.
- You can hear 5 beeps when cooking is complete.



2. Microwave Heating Function :

This can be done in two ways in your microwave oven

a. Quick microwave heating at 100% power.

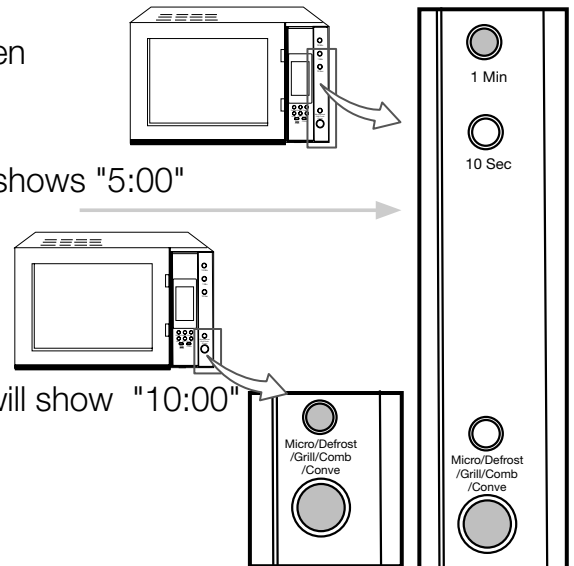
Eg : to heat food at full power for 5 minutes

- Press the 1 min. button five times till the display shows "5:00"
- Press the "Start/Reset" button.

b. Manual-operation microwave heating

Eg : to heat food for 10 minutes at 70% power.

- press micro button twice to select 70% power
- Press the 10 min. button once and the display will show "10:00"
- Press the "Start/Reset" button.



There are Five power levels that you can set on your microwave by operating the "Micro" button.

Touching Times	Microwave Power	Display
1	100%	P100
2	70%	P70
3	50%	P50
4	30%	P30
5	10%	P10

NOTE: The longest microwave heating time is 60 minutes.

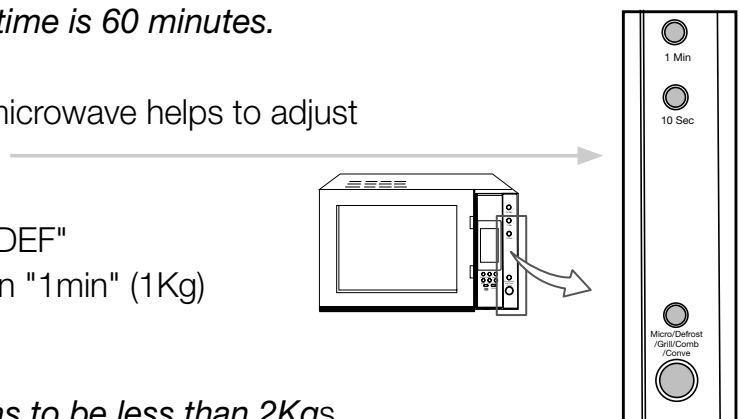
3. Auto Weight Defrost Function :

Knowing the food type and weight, the microwave helps to adjust the power level and the time.

Eg : defrost 0.5 Kg frozen meat.

- a. Press the "Defrost" button to display "DEF"
- b. Input the weight by pressing the button "1min" (1Kg) and the button "10 sec" (0.1Kg)
- c. Press the "Start/Reset" button.

NOTE :The weight of the frozen food has to be less than 2Kgs



4. Auto - Menu function :

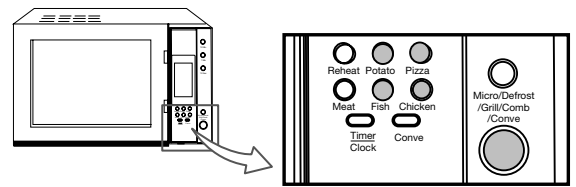
Knowing the food type and weight, the microwave oven will help you to automatically adjust the power and time.

The table below can be used as a ready reckoner for the auto menu function

Touching Times	Menu					
	Reheat	Potato	Pizza	Meat	Fish	Chicken
1	0.1	0.20	0.10	0.1	0.1	0.20
2	0.15	0.30	0.20	0.2	0.2	0.40
3	0.20	0.40	0.25	0.3	0.3	0.60
4	0.25	0.50	0.30	0.4	0.4	0.80
5	0.30	0.60	0.35	0.5	0.5	1.00
6	0.35	0.70	0.40	0.6	0.6	1.20
7	0.40	0.60	0.45	0.8	0.7	1.40
8	0.45	1.10	0.50	1.0	0.8	1.60
9	0.50	1.30	0.55	1.3	0.9	1.80
10	0.60	1.50	0.60	1.5	1.0	2.00

Eg : Auto cook 0.4Kg fish

- Press the "Fish" button until 0.4 is displayed.
- Press the "Start/Reset" button.

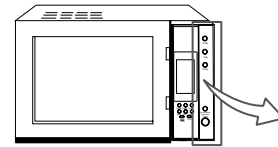
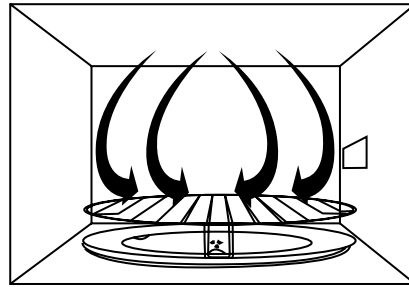


NOTE : your microwave gives you options to choose from Meat, Fish, Chicken and potatoes.

5. Grill Function :

You can use "Grill" button to select such functions.

Pattern 1: 85% grill power, displays : "G-1"



Eg : cooking food with grill for 20 minutes

- Press the "Power/Grill" button until LED displays "G-1"
- Press the "10min" button twice till "20:00" minutes is displayed.
- Press the "Start/Reset" button.

NOTE : - The longest grilling time in your microwave is 60 minutes.

- When grilling, the food isn't heated by microwave, heat is radiated from the metal heater at the top of the oven. When grill is working, the cooking time has 2 stages. After the 1st half of cooking the program will automatically pause and sound 2 beeps, indicating that you should open the oven and turn food over. After turning over, close the door, push "Start" button. The cooking will continue for the 2nd half. If you do not want to turn the food over, the cooking will continue after 1 minute pause.

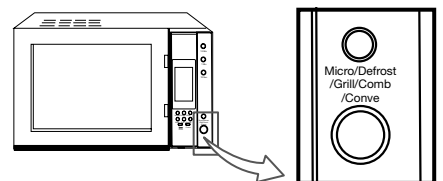
6. Combination Cooking function :

This application offers you three combination cooking options.

Option	Grill Power	Display	Use
1	Convection + Microwaves (200°C convection + 50% Micro)	C-1	Roasting & Baking
2	Grill + Convection (50% Grill + 210°C Convection)	C-2	Fast crisping
3	Grill + Microwave (50% Micro + 50% Grill)	C-3	Fast Grilling

Eg : Cooking food using option 3 for 30 minutes

- Press the "Comb" button until it displays C-3.
- Set the cooking time for 30:00 minutes by pressing the "10min" button thrice .
- Press the "Start/Reset" button.

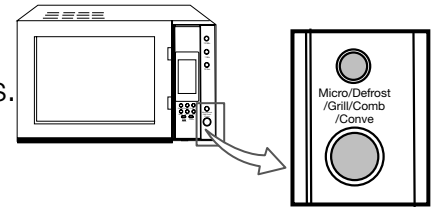


7. Convection Cooking:-

This oven can be used as a convection oven and can be programmed to reach a desired temperature for pre-heating. The temperature setting will default to 230°C. You may press "Conve" Button to set the different temperature.

Eg : to set the oven to pre-heat to 200°C.

- Press the "Micro/Conve" button until " Convection" flashes.
- Press "Conve" button to set 200°C temperature.
- Press "Start/Reset" Button.



When preheating is completed, the appliance will stop work and emit 2 beeps to remind you to place the food in the oven. Set the convection cooking temperature and time and start cooking. (the longest pre-heat time will be 30 minutes)

Eg: Convection cooking, to set the pre-heat oven to cook for 20 minutes at 200°C.

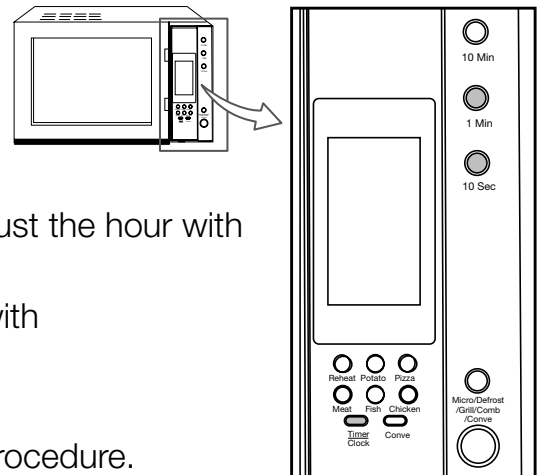
- Press "Micro/Conve" button to choose convection cooking, press "Conve" button to choose 200°C temperature.
- Set cooking time to 20 minutes
- Press the "Start/reset" button.

8. Clock function :-

The Oven has 24 hour digital clock.

To input the time, for example to 16:30 pm:-

- Press the "Clock" button. The display will flash, adjust the hour with buttons "1min" and "10sec".
- Press the "clock" button again. adjust the minute with buttons "1min" and "10 sec"
- Press the " Clock" again and the clock will be set.
- If you want to change the time, repeat the above procedure.



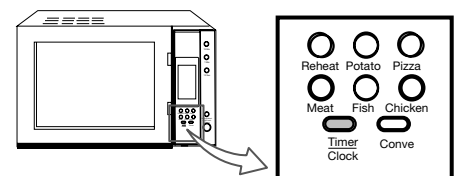
9. Timer function :-

This allows you to set the microwave oven to start and finish cooking at pre-set time.

NOTE : the clock must be set before you use this feature.

Eg : the current time is 16:30 and you want to start cooking at 18:15 on 70% power for 10 minutes.

- Press the "Timer" button. Set the time to "18:15" by pressing the "1min" and "10sec" buttons, same procedure as setting clock.
- Press "Micro" button to select 70% power.
- Set cooking time to 10 minutes.
- Press the "Start/Reset" button.



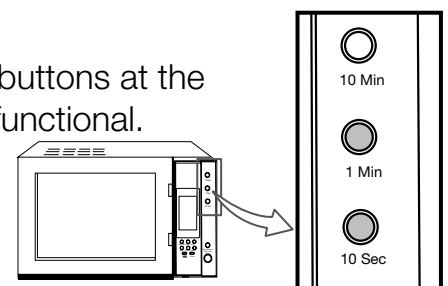
If you do not set the power and cooking time and directly press the start button once you have programmed the time, the appliance will only work as a clock.

At 18:15 there will be 10 beeps and the appliance will be switched off.

10. Child Safety Lock function :-

To activate the child safety lock, press "1Min" and "10sec" buttons at the same time for 2 seconds. All the buttons will become non-functional.

To reactivate the buttons press the "1Min" and "10sec" buttons together again for 2 seconds.



11. Start / Reset :-

- In the course of operation, pressing "Start/Reset" button will stop operation.
- If any program was set before pressing Start, by pressing this button will cancel all the set programs.

How to care for your Microwave:-

- Use utensils which allow the energy to pass through the container and heat the food. Only use a temperature probe recommended for this microwave oven.
- Do not use metal or dishes with metallic rim.
- Do not use recycled paper products as they may contain small metal fragments which may cause sparks or fires.
- Round or oval dishes are recommended rather than square / oblong once as food in corners tend to overcook.
- The oven should be cleaned occasionally, particularly around the door seal area.
- Keep the inside of oven of oven clean. When food splatters or spilled liquids adhere to oven walls, wipe with a damp cloth. Mild detergent may be used if the oven gets very dirty. Avoid the use of spray or other harsh cleaners as they may stain, streak or dull the door surface.
- Turn off the oven and remove the power plug from the socket before cleaning.
- The outside surfaces should be cleaned with damp cloth. To prevent damage to the operating parts inside the oven, water should not be allowed to seep into the ventilating openings.
- Wipe the door and window, sides of the oven, the door seals and adjacent parts frequently with a damp cloth to remove any spills or splatters. Do not use abrasive cleaners.
- Do not allow the operating panel to become wet. Clean with a soft damp cloth. When cleaning the control panel, leave the oven door open to prevent the oven from accidentally turning on.
- If steam accumulates inside or around the outside of the oven door, wipe with a soft cloth. This may occur when the microwave oven is operated under high humidity condition and it is normal.
- The roller ring and oven floor should be cleaned regularly to avoid excessive noise. Simply wipe the bottom surface of the oven with mild detergent. The roller ring may be washed in mild sudsy water or dishwasher. When removing the roller ring from the cavity floor for cleaning be sure to replace in the proper position.
- Remove odours from your oven by combining a cup of water with the juice and skin of a lemon in a deep microwaveable bowl. Microwave for 5 minutes. Wipe thoroughly and dry with soft cloth.
- When it becomes necessary to replace the oven light, please contact the nearest Black & Decker service concessionaire.

Important Instructions:-

1. Do not tamper with or deactivate the interlocking device on the door.
2. Never poke an object, particularly a metal object between the door and the oven when the oven is in operation.
3. Do not operate the microwave when empty.
4. To reduce the risk of fire in the oven cavity :-
 - a. When heating the food in plastic or paper container, keep an eye on the oven for the possibility of an ignition.
 - b. Remove the wire twist ties from paper or plastic bags before placing in the oven.
 - c. If smoke is observed, switch off or unplug the microwave oven and keep the door closed to stifle any flames.
 - d. Do not use the cavity for storage purposes. Do not leave paper products, cooking utensils or food in the cavity when not in use.

5. Liquid or other foods must not be heated in sealed containers as they are liable to explode.
6. Microwave heating of beverages can result in delayed eruptive boiling; therefore care has to be taken when handling the container.
7. Do not fry food in the oven. Hot oil can damage oven parts and utensils and even result in skin burns.
8. Eggs in their shell and whole hard boiled eggs should not be heated in the microwave ovens since they may explode even after microwave heating has ended.
9. Pierce foods with heavy skins such as potatoes, whole squashes, apples and cashewnuts before cooking.
10. The content of feeding bottles and baby food jars should be stirred or shaken and the temperature should be checked before serving in order to avoid burns.
11. Utensils should be checked to ensure that they are suitable for use in microwave oven. (please refer to table below). You can also carry out a test to ensure that it is microwave safe. Place the empty utensil in the microwave oven at high power for 60 seconds. A utensil which becomes very hot should not be used. Never do this with metal utensils.

COOKWARE	MICROWAVE	GRILL	COMBINATION
Heat Resistant Glass	Yes	Yes	Yes
Non Heat Resistant Glass	No	No	No
Heat Resistant Ceramics	Yes	Yes	Yes
Microwave safe plastic dishes	Yes	No	No
Kitchen Paper	Yes	No	No
Metal Tray	No	Yes	No
Metal Rack	No	Yes	No
Aluminium Foils & Foil Containers	No	Yes	No

12. Do not remove the outer panel from the oven.
13. Do not strike or hit the control panel. Damages can occur.
14. Oven gloves / Pot holders may be needed as heat from food is transferred to the cooking container and from the container to the glass tray. The glass tray can be very hot after removing the cooking container from the oven.
15. Do not store flammable materials next to, in, or on top of the oven. They could be a fire hazard.
16. Do not cook food directly on the glass tray unless indicated in the recipes. (food should be placed in a suitable cooking utensil)
17. Do not use this oven to heat chemicals or other non-food products. Do not clean this oven with any other product that is labeled as containing corrosive chemicals. The heating of corrosive chemicals in the oven may cause microwave radiation leaks.
18. Never use the oven rack when cooking in the microwave mode.
19. Do not use the oven for home canning or heating for any closed jar. Pressure will build up and the jar may explode. In addition, the microwave oven cannot maintain the food at the correct canning temperature. Improperly canned food may spoil and be dangerous to consume

20. It's hazardous for anyone other than a competent person to carry out any service or repair operation that involves the removal of a cover that gives protection against exposure to microwave energy.
21. Do not allow children to use the oven without supervision. They should operate only when adequate instructions have been given so that the child is able to use that oven in a safe way and understands the hazards of improper use.
22. Failure to maintain the oven in a clean condition could lead to deterioration of the surface that could adversely affect the life of the appliance and possible result in a hazardous situation. Regular cleaning is advised.
23. It is not recommended that this product is used by children
24. Never leave metal utensils in microwave.

BEFORE REQUESTING SERVICE:-

Things which may happen and are normal

1. You may experience some radio interference to your radio, TV or similar equipment. When there is interference, it may be reduced or eliminated by taking the following measures:
 - a) Clean the door and sealing surfaces of the oven.
 - b) Reorient the receiving antenna of radio or television.
 - c) Relocate the microwave oven with respect to the receiver.
 - d) Move the microwave oven away from the receiver
 - e) Plug the microwave oven into a different outlet so that microwave oven and receiver are on different branch circuits.
2. During cooking, when food heats up, the warm air generated circulates inside the oven cavity which may escape through the vents. Some of it may condense into steam and accumulate on the oven door.
3. There may be humming and clicking sound when cooking by Combination as the oven automatically switches from microwave power to Grill to create a combination setting making the sound.

PROBLEM	POSSIBLE CAUSE	REMEDY
Oven will not turn on	The oven is not properly connected	Remove the plug from the socket. Wait for 10 seconds and then reinsert.
	Circuit breaker or fuse is tripped	Reset the circuit breaker or replace the fuse.
	The socket may not be working	Test the socket with another appliance.
Oven will not start cooking	The door is not properly closed	Close the door properly.
	START button was not pressed	Press the START button.
	Another program has already been entered in the oven.	Press cancel button to cancel the program and then program again.
	The program has not been properly entered	Program properly according to Operating Instructions
	CANCEL button was pressed accidentally	Program the oven over again
When the oven is on, noise is emitted from the glass tray	The roller ring and the oven button are dirty	Clean the parts according to 'How to care for your Microwave Oven'.

Protecting the environment



Separate collection. This product must not be disposed off with normal household waste.

Should you find one day that your Black & Decker product needs replacement, or if it is of no further use to you, do not dispose it off with other household waste. Make this product available for separate collection.



Separate collection of used products and packaging allows materials to be recycled and used again. Use of recycled materials helps prevent environmental pollution and reduces the demand for raw materials.

Local regulations may provide for separate collection of electrical products from the household, at municipal waste sites or by the retailer when you purchase a new product.

Black & Decker provides a facility for the collection and recycling of Black & Decker products once they have reached the end of their working life. To take advantage of this service please return your product to any authorised repair agent who will collect it on our behalf. You can check the location of your nearest authorised repair agent by contacting your local Black & Decker office at the address indicated in this manual.

حماية البيئة

يجب عدم التخلص من هذا المنتج مع بقية النفايات المنزلية.



إذا وجدت في يوم من الأيام أنك بحاجة لشراء جهاز بلاك أند ديكر جديد، أو لم تعد بحاجة للجهاز القديم، لا تتخلص منه مع النفايات المنزلية الأخرى. جهز هذا المنتج للإستلام المنفصل.

الإستلام المنفصل للمنتجات المستعملة ومواد التغليف يسمح بإعادة تصنيع المواد واستعمالها من جديد. إستعمال المواد المعاد تصنيعها يساعد على منع التلوث البيئي ويقلل الطلب على المواد الأولية.



الأنظمة المحلية قد تنص على ضرورة الإستلام المنفصل للمنتجات الكهربائية من المنازل، في مواقع البلدية للنفايات أو بواسطة بائع التجزئة عندما تشتري منتجاً جديداً.

توفر بلاك أند ديكر التسهيلات لاستلام وإعادة تصنيع منتجات بلاك أند ديكر عندما تصل إلى نهاية حياتها العملية. للإستفادة من هذه الخدمة، يرجى إعادة جهازك إلى أي وكيل تصليح معتمد والذي سيقوم باستلامه بالنيابة عنا. يمكنك معرفة موقع أقرب وكيل تصليح معتمد بالنسبة لك بمراجعة مكتب بلاك أند ديكر المحلي على العنوان المبين في هذا الكتيب.

- ٢٠ توجد خطورة في قيام أي شخص غير مؤهل بإجراء أية أعمال صيانة أو تصليح تتطلب إزالة الغطاء الذي يوفر الحماية من التعرض لطاقة المايكرويف.
- ٢١ لا تسمح للأطفال باستعمال الفرن بدون إشراف شخص كبير. يجب على الأطفال عدم تشغيل الفرن إلا بعد إعطائهم التعليمات اللازمة ليكونوا قادرين على استعمال الفرن بأمان وفهم مخاطر الإستعمال غير الصحيح.
- ٢٢ عدم المحافظة على نظافة الفرن قد تؤدي إلى تدهور حالة السطح مما قد يؤثر بشكل سلبي على عمر الجهاز ويمكن أن يؤدي إلى مخاطر. ينصح بالتنظيف المنتظم.
- ٢٣ لا ينصح باستخدام هذا المنتج بواسطة الأطفال.
- ٢٤ لا تترك أية أوعية معدنية في المايكرويف.

قبل طلب الخدمة

بعض الأشياء التي قد تحدث وتكون طبيعية:

- ١ قد يحدث بعض التشويش على الراديو أو التلفزيون أو الأجهزة المماثلة. يمكن تخفيف التشويش أو إزالته باتباع الإجراءات التالية:
- أ) نظف الباب وموانع التسرب في الفرن.
- ب) أعد توجيه هوائي الاستقبال في الراديو أو التلفزيون.
- ت) بدل موقع المايكرويف بالنسبة لنظام الاستقبال.
- ث) إنقل فرن المايكرويف بعيداً عن نظام الاستقبال.
- ج) تأكد من وصل فرن المايكرويف إلى مقبس كهربائي مختلف لكي لا يكون الفرن وجهاز الاستقبال على نفس الدارة الكهربائية الفرعية.
- ٢ أثناء الطبخ، وعندما يسخن الطعام، فإن الهواء الدافئ الناتج يدور داخل الفرن وقد يتسرب قليل منه عبر فتحات التهوية. قد يتكثف بعض هذا الهواء على شكل بخار ويتراكم على باب الفرن.
- ٣ قد يصدر صوت طنين أو قرقرة أثناء الطبخ المتوافق لأن الفرن ينتقل أوتوماتيكياً من قوة المايكرويف إلى الشوي لتطبيق العيار المتوافق مما يؤدي إلى صدور الصوت.

المشكلة	السبب المحتمل	الحل
الفرن لا يعمل.	الفرن غير موصول بشكل صحيح.	أزل المقبس من مصدر الكهرباء، إنتظر ١٠ دقائق ثم أدخله من جديد.
	قاطع الدارة الكهربائية توقف عن العمل.	أعد ضبط قاطع الدارة الكهربائية أو استبدل الفاصمة.
	مقبس الكهرباء لا يعمل.	إفحص مقبس الكهرباء بجهاز آخر.
الفرن لا يبدأ بطبخ الطعام.	الباب غير مغلق بشكل صحيح.	أغلق الباب بشكل صحيح.
	لم تضغط على زر البدء.	إضغط على زر البدء.
	تم إدخال برنامج آخر في الفرن.	إلغاء البرنامج إضغط على زر الإلغاء، ثم برمجة من جديد.
	لم يتم إدخال البرنامج بشكل صحيح.	برمج بشكل صحيح حسب إرشادات التشغيل.
	تم الضغط على زر الإلغاء بطريق الخطأ.	برمج الفرن من جديد.
عند تشغيل الفرن، تصدر ضجة من الصينية الزجاجية.	الحلقة الدوارة وأزرار الفرن متسخة.	نظف الأجزاء حسب إرشادات "كيفية العناية بفرن المايكرويف".

- ٥ يجب عدم تسخين السوائل أو الأطعمة الأخرى في عبوات مختومة لأنها قد تنفجر.
- ٦ تسخين السوائل بالميكرويف قد يؤدي إلى حدوث غليان متأخر، لذلك يجب الحرص عند حمل الوعاء.
- ٧ تجنب قلي الطعام في الميكرويف. الزيت الحار قد يتلف أجزاء الفرن والأواني وقد يؤدي إلى إصابة البشرة بالحروق.
- ٨ يجب عدم تسخين البيض في قشرته أو البيض المسلوق جيداً في أفران الميكرويف لأنه قد ينفجر حتى بعد انتهاء التسخين بالميكرويف.
- ٩ إنقب الأطعمة ذات القشرة السميكة مثل البطاطا، القرع الكامل، التفاح وفسنق الكاجو قبل طبخها في الميكرويف.
- ١٠ يجب تحريك أوج محتويات زجاجات الرضاعة أو مرطبات أطفال كما يجب التأكد من الحرارة قبل إعطاء هذه الأطعمة لمنع تسبب الحروق.
- ١١ يجب التأكد من أن الأواني مناسبة للإستعمال في أفران الميكرويف. (يرجى الرجوع إلى الجدول أدناه.) يمكنك أيضاً إجراء اختبار للتأكد من أن استعمالها مأمون في الميكرويف. ضع الوعاء الفارغ في فرن الميكرويف بالقوة العالية لمدة ٦٠ ثانية. إذا أصبح الوعاء شديد السخونة يجب عدم استعماله في الميكرويف. تجنب إجراء الاختبار على الأوعية المعدنية.

وعاء الطبخ	الميكرويف	المشواة	المتوافق
زجاج مقاوم للحرارة	نعم	نعم	نعم
زجاج غير مقاوم للحرارة	لا	لا	لا
سيراميك مقاوم للحرارة	نعم	نعم	نعم
صحن بلاستيكية مناسبة للميكرويف	نعم	لا	لا
ورق المطبخ	نعم	لا	لا
صينية معدنية	لا	نعم	لا
رف معدني	لا	نعم	لا
ورق معدني وأوعية مصنوعة منه	لا	نعم	لا

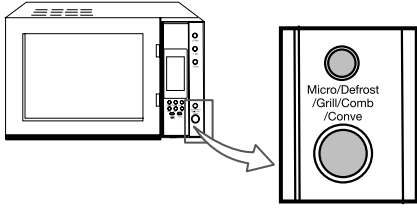
- ١٢ تجنب إزالة اللوحة الخارجية من الفرن.
- ١٣ لا توجه ضربات إلى لوحة التحكم لأن ذلك قد يؤدي إلى تلفها.
- ١٤ قد تدعو الحاجة لاستخدام قفازات الفرن/حمالات الأواني نظراً لأن الحرارة تنتقل من الطعام إلى وعاء الطبخ ومنه إلى الصينية الزجاجية. قد تكون الصينية الزجاجية شديدة السخونة بعد إزالة وعاء الطبخ من الفرن.
- ١٥ تجنب حفظ مواد قابلة للاشتعال بجوار أو داخل أو فوق الفرن، لأن ذلك قد يؤدي لحدوث حريق.
- ١٦ لا تطبخ الطعام مباشرة على الصينية الزجاجية إلا إذا ورد ذلك في وصفة الطعام. (يجب وضع الطعام في وعاء مناسب.)
- ١٧ لا تستعمل هذا الفرن لتسخين المواد الكيميائية أو أية منتجات أخرى غير غذائية. لا تنظف هذا الفرن بأي منتج يحتوي على مواد كيميائية كاشطة. إن تسخين المواد الكيميائية الكاشطة في الفرن قد يؤدي إلى تسرب إشعاعي من الفرن.
- ١٨ لا تستعمل رف الفرن عند الطبخ بطريقة الميكرويف.
- ١٩ لا تستعمل الفرن للتعليب المنزلي أو للتسخين في مرطبان مغلق. يتزايد الضغط وقد ينفجر المرطبان. إضافة إلى ذلك، لا يستطيع فرن الميكرويف المحافظة على الطعام بدرجة الحرارة الصحيحة للتعليب. الطعام المعلب بشكل غير صحيح قد يفسد ويصبح استهلاكه خطراً على الصحة.

كيفية العناية بفرن المايكرويف

- إستعمل الأواني التي تسمح بمرور الطاقة عبرها لتسخين الطعام. إستعمل مجس الحرارة الذي ينصح باستعماله لهذا الفرن.
- لا تستعمل العبوات المعدنية أو صحن ذات حافة معدنية.
- لا تستعمل منتجات ورقية معاد تصنيعها لأنها قد تحتوي على أجزاء معدنية صغيرة يمكن أن تسبب حدوث الشرار أو الحريق.
- ينصح باستعمال الصحن المستديرة أو البيضاوية أكثر من الصحن المربعة/المستطيلة حيث يمكن أن يتعرض الطعام الموجود في الزوايا للطبخ الزائد.
- يجب تنظيف الفرن من وقت لآخر، خصوصاً حول منطقة موانع التسرب في الباب.
- يجب المحافظة على النظافة داخل الفرن. عندما يتناثر الطعام أو تنسكب السوائل، نظف داخل الفرن بقطعة قماش مبللة. يمكن استعمال منظف خفيف إذا أصبح الفرن شديد الإتساخ. تجنب استعمال البخاخ أو المنظفات القاسية الأخرى لأنها قد تسبب ظهور البقع أو الخطوط على سطح الباب أو تؤدي إلى بهتانه.
- أطفئ الفرن وأزل المقبس من مصدر الطاقة قبل التنظيف.
- يجب تنظيف الأسطح الخارجية بقطعة قماش مبللة. لمنع تسبب الضرر للقطع العاملة داخل الفرن، يجب عدم السماح للماء بالتسرب داخل فتحات التهوية.
- إمسح الباب والنافذة، جوانب الفرن، موانع التسرب في الباب والقطع المجاورة بقطعة قماش مبللة بانتظام لإزالة أي طعام متناثر أو شراب منسكب. لا تستعمل منظفات مسببة للكشط.
- لا تسمح بتبلل لوحة التشغيل. نظفها بقطعة قماش ناعمة. عند تنظيف لوحة التحكم، إترك باب الفرن مفتوحاً لمنع تشغيل الفرن بطريق الخطأ أثناء التنظيف.
- إذا تراكم البخار داخل أو خارج باب الفرن، إمسحه بقطعة قماش ناعمة. قد يحدث ذلك عند تشغيل الفرن في أجواء عالية الرطوبة وهذا شيء طبيعي.
- يجب تنظيف الحلقة الدوارة وأرضية الفرن بانتظام لتجنب الضجيج الزائد. ببساطة إمسح السطح السفلي للفرن بمنظف خفيف. يجب غسل الحلقة الدوارة في ماء متوسط الرغوة أو في غسالة الصحن. عند إزالة الحلقة الدوارة من أرضية الفرن تأكد من إعادتها في الوضعية الصحيحة.
- أزل الروائح من الفرن بمزج كوب من الماء مع عصير وقشرة ليمونة في وعاء عميق قابل للاستعمال في المايكرويف. شغل المايكرويف لمدة ٥ دقائق. إمسح بشكل كامل وجفف بقطعة قماش ناعمة.
- عندما يصبح من الضروري استبدال ضوء الفرن، يرجى الاتصال بأقرب وكيل لخدمة بلاك أند ديكر.

إرشادات هامة

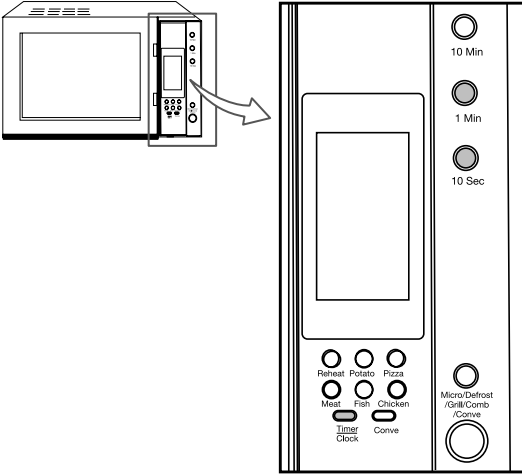
- ١ لا توقف أو تعبت بجهاز التعشيق في باب الفرن.
- ٢ لا تقم بإدخال أي شيء، خصوصاً إذا كان معدنياً، بين الباب والفرن أثناء تشغيل الفرن.
- ٣ تجنب تشغيل الفرن عندما يكون فارغاً.
- ٤ لتقليل خطورة نشوب حريق داخل الفرن:
 - أ) عند تسخين الطعام في وعاء بلاستيكي أو ورقي، راقب الفرن للتأكد من عدم حدوث اشتعال.
 - ب) أزل أسلاك الإغلاق الملتوية من الأكياس الورقية أو البلاستيكية قبل وضعها في الفرن.
 - ت) إذا لاحظت ظهور دخان، أطفئ فرن المايكرويف أو أزل سلك الطاقة من مصدر الكهرباء وتأكد من بقاء الباب مغلقاً لإخماد أي لهب.
 - ث) لا تستعمل الفرن للتخزين. لا تترك أية منتجات ورقية، أو اني مطبخية أو أطعمة داخل الفرن عند عدم استعماله.



- مثلاً: لضبط الفرن للتسخين المسبق بحرارة ٢٠٠ درجة مئوية.
- إضغط على زر "Micro/Conve" حتى تضيء كلمة "Convection".
- إضغط على زر "Conve" لضبط الحرارة على ٢٠٠ درجة مئوية.
- إضغط على زر "Start/Reset".

عند اكتمال التسخين المسبق، يتوقف الجهاز عن العمل ويصدر تنبيهاً صوتياً مرتين لتذكيرك بوضع الطعام في الفرن. لضبط حرارة وزمن الطبخ بالنقل الحراري ثم ابدأ بالطبخ. (أطول فترة زمنية للتسخين المسبق هي ٣٠ دقيقة).
مثلاً: الطبخ بالنقل الحراري، لضبط الفرن مسبق التسخين للطبخ لمدة ٢٠ دقيقة بحرارة ٢٠٠ درجة مئوية.

- إضغط على زر "Micro/Conve" لاختيار الطبخ بالنقل الحراري، واضغط على زر "Conve" لاختيار حرارة ٢٠٠ درجة مئوية.
- لضبط زمن الطبخ على ٢٠ دقيقة.
- إضغط على زر "Start/Reset".



٨ ميزة الساعة

يضم الفرن ساعة رقمية.

لضبط الوقت على الساعة ١٦:٣٠ مثلاً:

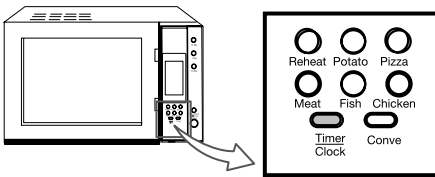
- إضغط على زر "Clock" وستضيء الشاشة. إضبط الساعات بواسطة أزرار "1Min" و"10Sec".
- إضغط على زر "Clock" مرة ثانية واضبط الدقائق بواسطة أزرار "1Min" و"10Sec".
- إضغط على زر "Clock" من جديد وسيكتمل ضبط الساعة.
- إذا أردت تغيير الوقت، كرر الخطوات أعلاه.

٩ ميزة التوقيت

تسمح لك هذه الميزة بضبط فرن المايكرويف لبدء وإنهاء الطبخ في وقت محدد مسبقاً.

ملاحظة: يجب ضبط الساعة قبل استخدام هذه الميزة.

مثلاً: الوقت الحالي هو ١٦:٣٠ وتريد بدء الطبخ في الساعة ١٨:١٥ بقوة ٧٠٪ لمدة ١٠ دقائق.



- إضغط على زر "Timer". لضبط الوقت على ١٨:١٥ بالضغط على أزرار "1Min" و"10Sec"، نفس خطوات ضبط الساعة.
- إضغط على زر "Micro" لاختيار قوة ٧٠٪.
- لضبط زمن الطبخ على ١٠ دقائق.
- إضغط على زر "Start/Reset".

إن لم تضبط القوة وزمن الطبخ وضغطت على زر البدء مباشرة بعد برمجة الوقت، فإن الجهاز سيعمل كساعة فقط.

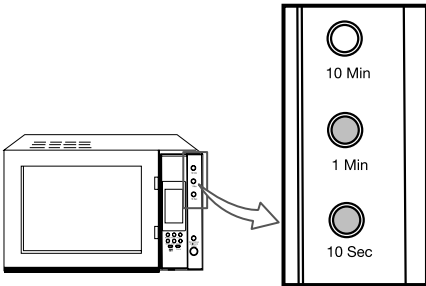
عند الساعة ١٨:١٥ يصدر الجهاز تنبيهاً صوتياً ١٠ مرات ثم ينطفئ.

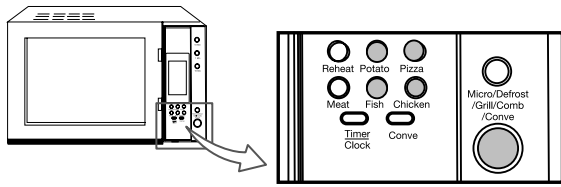
١٠ ميزة قفل سلامة الأطفال

- لتشغيل قفل سلامة الأطفال، إضغط على أزرار "1Min" و"10Sec" في نفس الوقت لمدة ثانيتين. عندها تصبح جميع الأزرار غير قابلة للتشغيل.
- لإعادة تشغيل الأزرار، إضغط من جديد على أزرار "1Min" و"10Sec" في نفس الوقت لمدة ثانيتين.

١١ البدء/إعادة الضبط

- أثناء التشغيل، يؤدي الضغط على زر "Start/Reset" إلى وقف التشغيل.
- في حال ضبط أي برنامج قبل البدء، فإن الضغط على هذا الزر يلغي جميع البرامج مسبقاً الضبط.



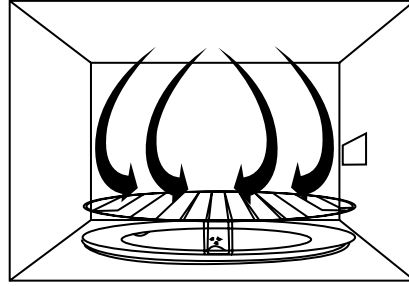
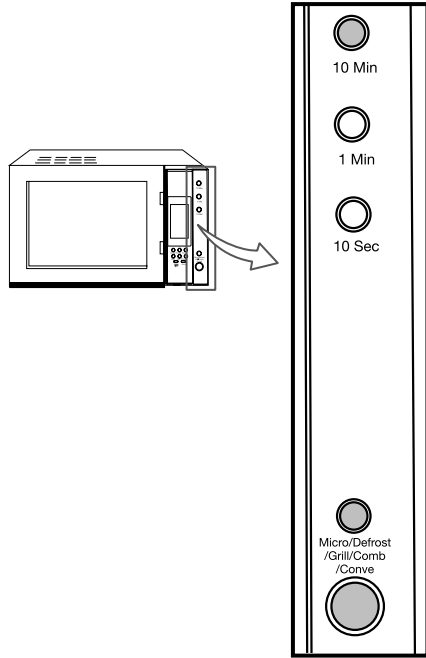


- مثلاً: طبخ ٤,٠ كجم سمك أوتوماتيكياً
- اضغط على زر "Fish" حتى يظهر الرقم "٤,٠".
 - اضغط على زر "Start/Reset".

ملاحظة: فرن المايكرويف يعطيك خيارات لانتقاء اللحم، السمك، الدجاج والبطاطا.

٥ ميزة الشوي

- يمكنك استعمال زر "Grill" لاختيار هذه الميزة.
النموذج ١: قوة الشوي ٨٥٪، يظهر الرمز "G-1".



- مثلاً: طبخ الطعام بالشوي لمدة ٢٠ دقيقة
- اضغط على زر "Power/Grill" حتى يظهر الرمز "G-1" على الشاشة.
 - اضغط زر "10Min" مرتين حتى يظهر الرقم "٢٠:٠٠".
 - اضغط على زر "Start/Reset".

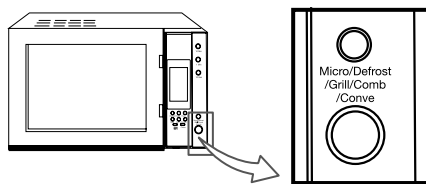
ملاحظة: أطول فترة زمنية للشوي بالمايكرويف هي ٦٠ دقيقة.

- عند الشوي، لا يتم تسخين الطعام بالمايكرويف بل تأتي الحرارة من السخان المعدني في أعلى الفرن. عندما يعمل الشوي، ينقسم زمن الطبخ إلى مرحلتين. بعد النصف الأول من زمن الطبخ، يتوقف البرنامج أوتوماتيكياً ويعطي تنبيهاً صوتياً مرتين، لتذكيرك بأن تفتح الفرن وتقلب الطعام. بعد قلب الطعام، أغلق الباب واضغط على زر "Start/Reset" وسوف يستمر الطبخ للنصف الثاني. إن كنت لا تريد قلب الطعام، فإن الطبخ يستمر بعد التوقف لمدة دقيقة واحدة.

٦ ميزة الطبخ المتوافق

توفر لك هذه الميزة ثلاثة خيارات للطبخ المتوافق.

الخيار	قوة الشوي	الشاشة	الاستعمالات
١	النقل الحراري + المايكرويف (نقل حراري ٢٠٠ درجة مئوية + ٥٠٪ مايكرو)	C-1	التحمير والخبز
٢	الشوي + النقل الحراري (٥٠٪ شوي + نقل حراري ٢١٠ درجة مئوية)	C-2	التحميص السريع
٣	الشوي + المايكرويف (٥٠٪ مايكرو + ٥٠٪ شوي)	C-3	الشوي السريع



- مثلاً: طبخ الطعام باستخدام الخيار ٣ لمدة ٣٠ دقيقة.
- اضغط على زر "Comb" حتى يظهر الرمز "C-3" على الشاشة.
 - لضبط زمن الطبخ على ٣٠:٠٠ دقيقة بالضغط على زر "10Min" ثلاث مرات.
 - اضغط على زر "Start/Reset".

٧ الطبخ بالنقل الحراري

يمكن استعمال هذا الفرن كفرن للنقل الحراري وبرمجته للوصول إلى درجة حرارة معينة للتسخين المسبق. يتم ضبط درجة الحرارة أساساً على ٢٣٠ درجة مئوية. يمكن الضغط على زر "Conve" لضبط درجة حرارة مختلفة.

٢ ميزة التسخين بالميكرويف

يمكن القيام بذلك بطريقتين في فرن الميكرويف:

(أ) التسخين السريع بالميكرويف بقوة ١٠٠٪

مثلاً لتسخين الطعام بالقوة الكاملة لمدة ٥ دقائق.

- اضغط على زر "1Min" ٥ مرات حتى يظهر الرقم "٥:٠٠" على الشاشة.

- اضغط على زر "Start/Reset".

(ب) التسخين بالميكرويف بالتشغيل اليدوي

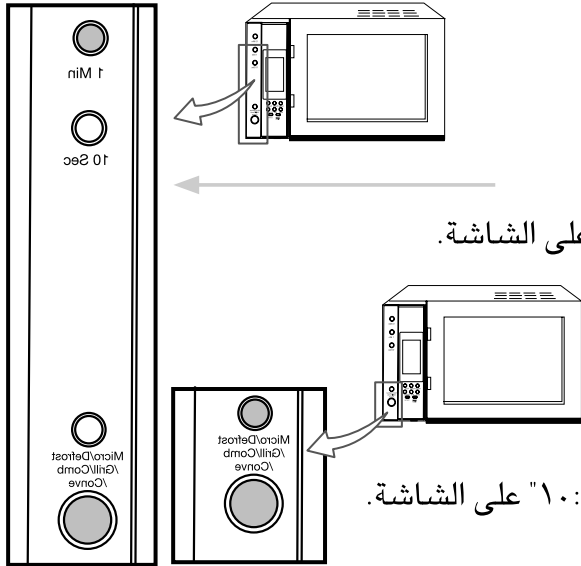
مثلاً لتسخين الطعام بقوة ٧٠٪ لمدة ١٠ دقائق.

- اضغط على زر "Micro" لاختيار قوة ٧٠٪

- اضغط على زر "10Min" مرة واحدة حتى يظهر الرقم "١٠:٠٠" على الشاشة.

- اضغط على زر "Start/Reset".

توجد خمسة مستويات للقوة يمكنك ضبطها لفرن الميكرويف باستعمال زر "Micro".



الشاشة	قوة الميكرويف	مرات اللمس
P100	٪١٠٠	١
P70	٪٧٠	٢
P50	٪٥٠	٣
P30	٪٣٠	٤
P10	٪١٠	٥

ملاحظة: أطول فترة زمنية للتسخين بالميكرويف هي ٦٠ دقيقة.

٣ إزالة التجميد أوتوماتيكياً حسب الوزن

بمعرفة نوع ووزن الطعام، يساعد الميكرويف على ضبط مستوى القوة وزمن الطبخ.

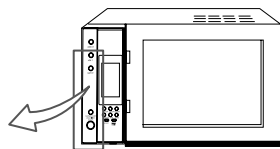
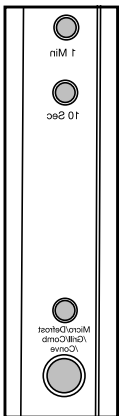
مثلاً: إزالة التجميد من ٠,٥ كجم لحم مجمد.

(أ) اضغط على زر "Defrost" وستظهر الأحرف "DEF".

(ب) حدد الوزن بالضغط على زر "1Min" (١ كجم) وزر "10Sec" (٠,١ كجم).

(ت) اضغط على زر "Start/Reset".

ملاحظة: يجب أن يكون وزن الطعام المجمد أقل من ٢ كجم.



٤ ميزة القائمة الأوتوماتيكية:

بمعرفة نوع ووزن الطعام، يساعدك الميكرويف على ضبط مستوى القوة وزمن الطبخ أوتوماتيكياً.

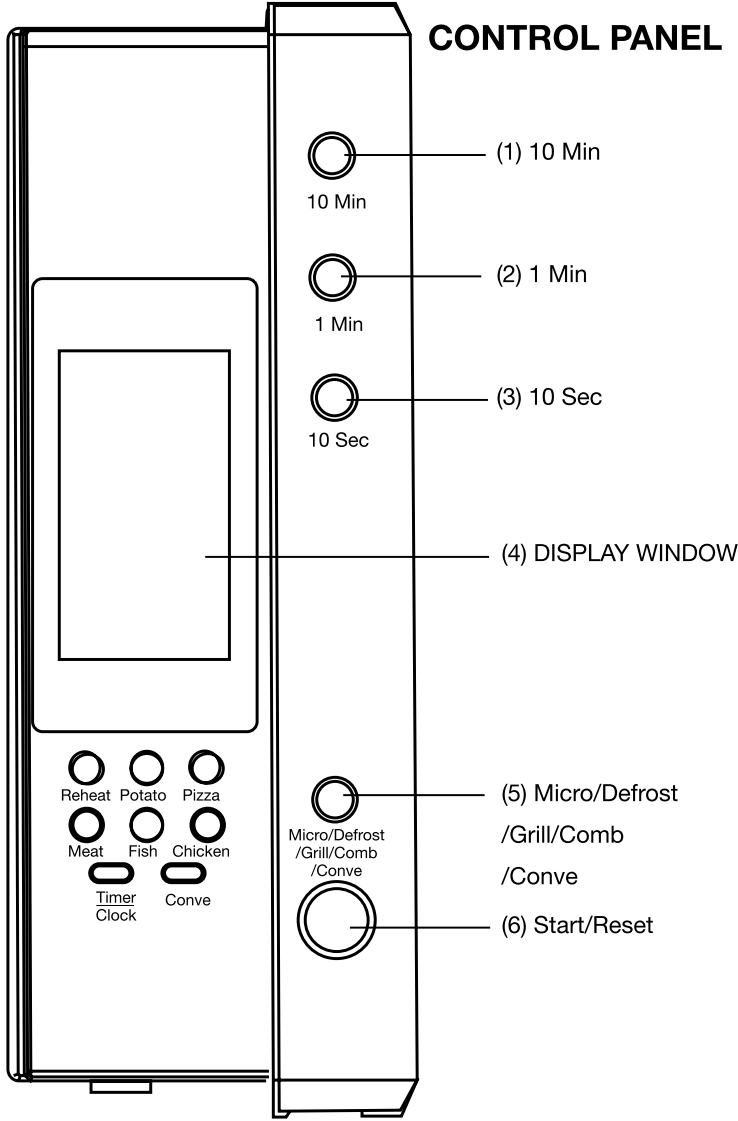
يمكن استعمال الجدول أدناه كدليل جاهز لميزة القائمة الأوتوماتيكية

دجاج	سمك	لحم	بيتزا	بطاطا	إعادة التسخين	القائمة الوزن (كجم)	مرات اللمس
٠,٢٠	٠,١	٠,١	٠,١٠	٠,٢٠	٠,١	١	١
٠,٤٠	٠,٢	٠,٢	٠,٢٠	٠,٣٠	٠,١٥	٢	٢
٠,٦٠	٠,٣	٠,٣	٠,٢٥	٠,٤٠	٠,٢٠	٣	٣
٠,٨٠	٠,٤	٠,٤	٠,٣٠	٠,٥٠	٠,٢٥	٤	٤
١,٠٠	٠,٥	٠,٥	٠,٣٥	٠,٦٠	٠,٣٠	٥	٥
١,٢٠	٠,٦	٠,٦	٠,٤٠	٠,٧٠	٠,٣٥	٦	٦
١,٤٠	٠,٧	٠,٨	٠,٤٥	٠,٦٠	٠,٤٠	٧	٧
١,٦٠	٠,٨	١,٠	٠,٥٠	١,١٠	٠,٤٥	٨	٨
١,٨٠	٠,٩	١,٣	٠,٥٥	١,٣٠	٠,٥٠	٩	٩
٢,٠٠	١,٠	١,٥	٠,٦٠	١,٥٠	٠,٦٠	١٠	١٠

كيفية استعمال فرن المايكرويف:

الجهاز مخصص لتسخين أو طبخ أو تجفيف الطعام وللاستعمال داخل المنازل فقط.

- رتب الطعام بعناية. ضع المنطقة الأكثر سماكة نحو خارج الصحن.
- راقب زمن الطبخ. إطبخ لأقصر فترة زمنية ثم أضف المزيد إذا دعت الحاجة. الطبخ الزائد للطعام قد يؤدي إلى انبعاث دخان أو اشتعال الطعام مما يسبب الضرر.
- تأكد من تغطية الطعام أثناء الطبخ. التغطية تمنع التناثر ويتم طبخ الطعام بشكل متماثل.
- إقلب الطعام مرة واحدة أثناء الدورة لتسريع طبخ أطعمة معينة مثل الدجاج والبيرجر. الأطعمة الكبيرة مثل الديك الرومي المحمر يجب قلبها مرة واحدة على الأقل.
- أعد ترتيب الطعام مثل كرات اللحم في منتصف دورة الطبخ، من الأعلى إلى الأسفل ومن وسط الصحن إلى محيطه.



لوحة التحكم:

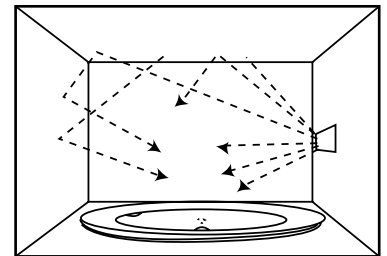
الطبخ البسيط:

لبدء الطبخ، اضغط على زر "Start/Reset" للطبخ لمدة دقيقة واحدة مع قوة المايكرويف ١٠٠٪. مع كل كبسة على الزر، يزداد الزمن دقيقة أخرى، بحيث يكون الزمن الأقصى ٣٠ دقيقة.

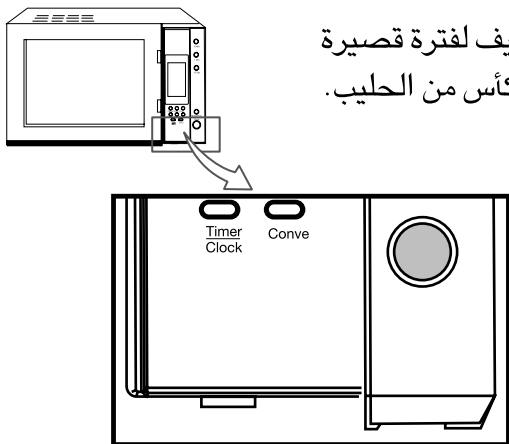
بعد اكتمال الطبخ للفترة المحددة، يصدر الفرن تنبيهاً صوتياً ٥ مرات.

طبخ المايكرويف

١ التسخين بزر واحد:



بكبس زر واحد، يمكنك تشغيل المايكرويف لفترة قصيرة لتسخين الطعام والشراب مثل تسخين كأس من الحليب.



(أ) ضع كأس الحليب على الصينية الزجاجية وأغلق الباب.

(ب) اضغط على زر "Start/Reset". سيعمل المايكرويف بقوة المايكرويف ١٠٠٪ لمدة دقيقة واحدة.

(ت) ستسمع تنبيهاً صوتياً ٥ مرات عند اكتمال التسخين.

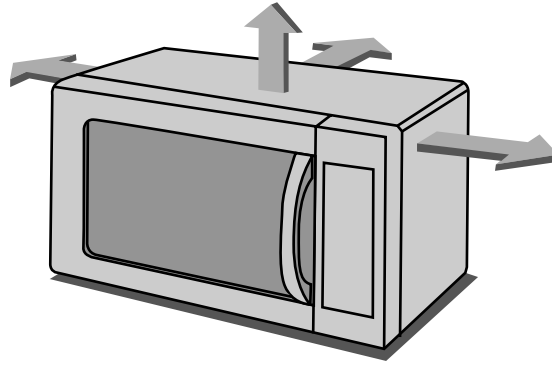
كيفية تركيب المايكرويف

تأكد من إزالة مادة التغليف من داخل الباب.

تحذير: تأكد من عدم وجود أي تلف في الفرن، مثل انحناء أو عدم انتظام الباب، تلف موانع التسرب في الباب وسطح السد المحكم، إنكسار أو ارتخاء مفاصل الباب ووجود انبعاج داخل الفرن أو على الباب. يجب أن يكون الباب قابلاً للإغلاق بشكل ملائم ومأمون وسلس. يجب أن تكون موانع التسرب في الباب خالية من الطعام ولا تحمل أية علامات احتراق. في حال وجود أي تلف، يرجى عدم تشغيل الجهاز بل الإتصال بموظف الخدمة المعتمد.

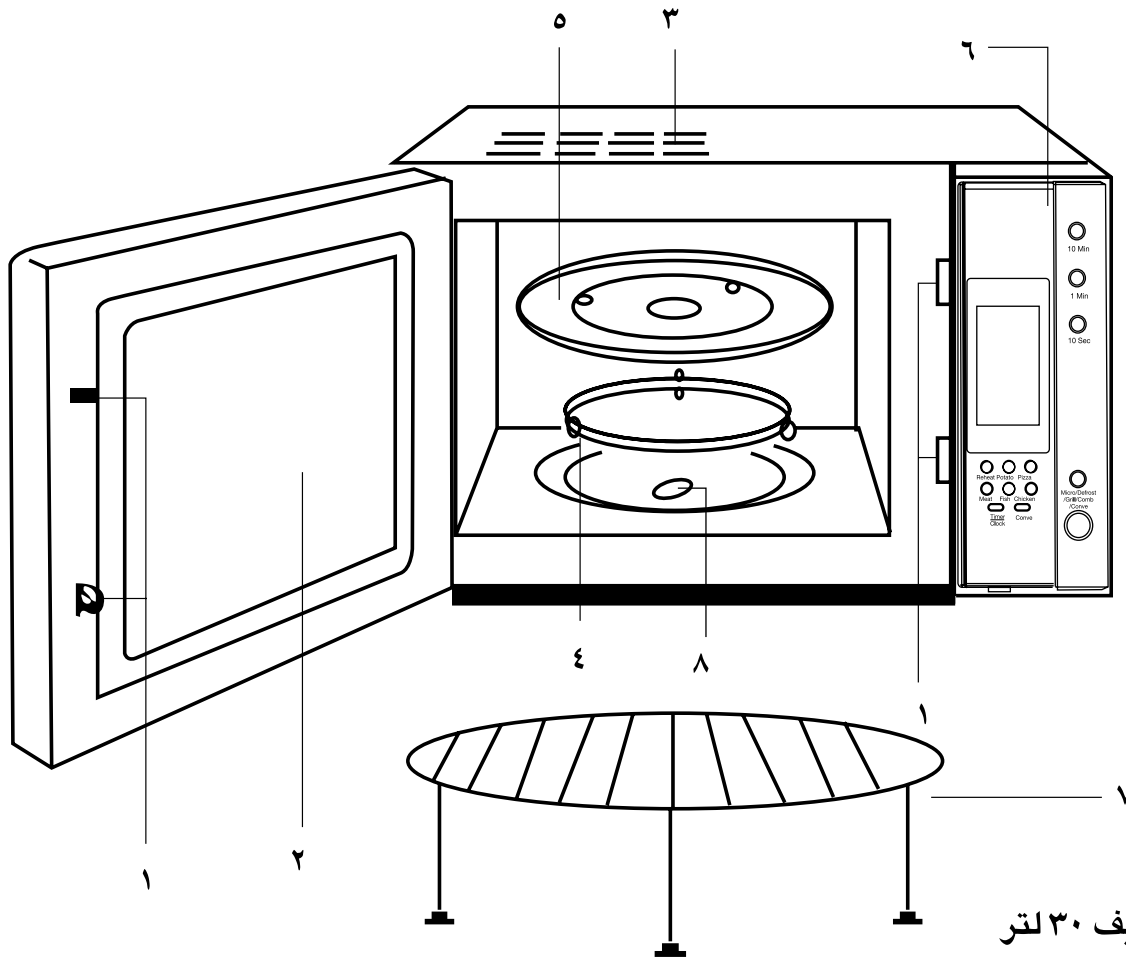
نصائح عملية:

- يجب وضع فرن المايكرويف على سطح منبسط وثابت يستطيع تحمل وزن الفرن وأثقل أطعمة يمكن طبخها داخله.
- لا تضع الفرن في أمكنة تتواجد فيها حرارة أو رطوبة عالية أو قرب مواد قابلة للإشتعال.
- للتشغيل الصحيح، يجب أن تتوفر تهوية كافية للفرن. وذلك يتطلب مسافة ٣٠ سم من الأعلى، ١٠ سم من الخلف و١٥ سم في كل من الجانبين. تجنب تغطية أو سد أية فتحات.



- تجنب إزالة أرجل الفرن.
 - لا تضع أي شيء فوق الفرن.
 - يجب عدم تشغيل الفرن إلا إذا كانت الصينية الزجاجية والحلقة الدوارة وعمود الإدارة في مواقعها الصحيحة.
 - تأكد من عدم تلف سلك تزويد الطاقة وعدم مروره تحت فرن المايكرويف أو فوق أية أسطح حارة أو حادة.
 - تأكد من سهولة الوصول إلى المقبس لكي يكون من السهل إزالته في حالات الطوارئ.
 - لا تستعمل فرن المايكرويف خارج المنزل.
 - يجب تأريض الجهاز. الفرن مزود بسلك يشتمل على سلك للتأريض ومقبس للتأريض. يجب وصله بمأخذ جداري تم تركيبه وتأريضه بشكل صحيح وذلك لتقليل خطر الإصابة بصدمة كهربائية في حال حدوث تماس كهربائي. إستعمال الفولتاج العالي خطر وقد يؤدي إلى نشوب حريق أو حوادث أخرى تؤدي إلى تلف الفرن.
- ملاحظة:** الإستعمال غير الصحيح لمقبس التأريض قد يؤدي إلى صدمة كهربائية. يجب تشغيل فرن المايكرويف على دارة منفصلة عن الأجهزة الأخرى. عدم القيام بذلك قد يسبب انفجار صمامة الأمان في اللوحة الكهربائية أو حدوث بقاء في طبخ الطعام.

وصف الأجزاء



مزايا فرن المايكرويف ٣٠ لتر

- سعة ٣٠ لتر - مثالي للعائلات الكبيرة.
- ميزة النقل الحراري - تسمح بالطهي بدرجة حرارة متماثلة.
- ميزة القوائم - الشاشة تبين زمن الطبخ، القوة، مؤشرات العمل، الوقت.
- أزرار الدقائق السريعة تسهل ضبط الوقت والعيار.
- أزرار البرمجة لضبط برامج الطبخ بواسطة المايكرويف أو الشوي.
- أزرار التوافق تسمح لك بضبط الطبخ المتوافق.
- ميزة إزالة التجميد حسب الوزن تسمح لك بضبط إزالة التجميد حسب وزن الطعام.
- ميزة الإلغاء تلغي جميع عيارات الضبط السابقة.
- ميزة الذاكرة تضبط برنامج الطبخ متعدد المراحل.
- زر المايكرو يضبط مستوى قوة الطبخ.
- مقبض ضبط الوقت/الوزن يقوم بمهمة مزدوجة لضبط عيارات الوقت والوزن.
- زر البدء لبرنامج الطبخ.
- رف معدني لشوي الأطعمة.
- خيارات لانتقاء المستوى المطلوب لقوة الطبخ.
- قفل سلامة الأطفال للحفاظ على سلامتهم.
- ميزة الساعة تساعد على ضبط الوقت.
- ميزة الضبط المسبق تسمح لك ببرمجة الفترة الزمنية للطبخ في وقت لاحق.

إحتياطات هامة

عند استعمال الأجهزة الكهربائية، وبهدف تقليل إمكانية حدوث حريق أو صدمة كهربائية و/أو تعرض أي شخص للإصابة، يجب الإلتزام باحتياطات السلامة الأساسية، بما فيها ما يلي:

- إقرأ جميع التعليمات بعناية، حتى لو كنت تعرف الجهاز جيداً.
- للحماية من الصدمة الكهربائية، لا تضع الجهاز أو السلك أو المقبس داخل الماء أو أية سوائل أخرى.
- لتنظيف الجهاز، إمسح السطح الخارجي بقطعة قماش مبللة.
- المراقبة الدقيقة ضرورية عند استعمال الجهاز بواسطة أو قرب الأطفال. يجب عدم ترك الجهاز بدون مراقبة أثناء استعماله.
- أطفئ الجهاز وأزل المقبس من مصدر الكهرباء عند عدم الاستعمال، وأيضاً قبل تجميع أو فك القطع أو أثناء التنظيف أو عند إجراء الصيانة على الجهاز. لا تسحب السلك عند إزالة القابس من مصدر التيار الكهربائي.
- لا تستعمل أي جهاز في حال تلف السلك أو المقبس، أو بعد حدوث عطل في الجهاز، أو عند إسقاطه أو إصابته بالتلف بأي شكل كان. أعد الجهاز بأكمله إلى أقرب مركز خدمة معتمد لفحصه وإصلاحه أو تعديله لتجنب أية مخاطر.
- إستعمال أية ملحقات أو إكسسوارات لا ينصح بها أو لا تباع بواسطة الشركة المصنعة للجهاز قد يؤدي إلى حدوث حريق أو صدمة كهربائية أو إصابة شخصية.
- لا تدع السلك يتدلى عند حافة الطاولة أو الكاونتر، أو يلامس أية أسطح حارة.
- تجنب لمس الأسطح الحارة، بل استعمل المقابض.
- لا تقم بتشغيل أو وضع أي جزء من هذا الجهاز على أو قرب أية أسطح حارة (مثل موقد غازي أو كهربائي أو في فرن ساخن).
- لا تسيء استعمال السلك. لا تحمل الجهاز من السلك أو تسحبه بشدة لفصله عن مصدر الكهرباء، بل أمسك بالمقبس واسحبه.
- عند استعمال سلك تمديد مع جهازك، تأكد من أن سلك التمديد موصول بشكل صحيح ونوعه مناسب لهذا الإستعمال.
- هذا الجهاز مخصص للاستعمال المنزلي فقط.
- لا تحاول إصلاح الجهاز بنفسك، بل خذه إلى أقرب مركز خدمة تابع لشركة بلاك أند ديكر أو معتمد منها لإصلاحه.
- تأكد من بقاء الأطفال والحيوانات بعيداً عن الجهاز والسلك.

إحتفظ بهذه الإرشادات

ضمان شامل لمدة سنتين لأجهزة BLACK & DECKER المنزلية

تمنح Black & Decker ضماناً شاملاً مدته سنتان لهذا المنتج اعتباراً من تاريخ الشراء. يغطي الضمان عيوب التصنيع أو المواد الداخلة في التصنيع. وفي حالة إصابة المنتج بأي عطل أثناء فترة الضمان، ستقوم شركة بإصلاحه أو (وفقاً لتقدير Black & Decker) استبداله مجاناً.

لا يغطي الضمان الأعطال الناتجة عن الحوادث، سوء الاستعمال، الإهمال، الاستعمال الخاطئ، أو عدم اتباع النظم المعمول بها محلياً. كذلك، لا تنطبق شروط الضمان إذا تمت صيانة أو تصليح المنتج لدى طرف غير معتمد من قبل شركة Black & Decker، أو في حالة استخدام قطع غيار بدون الرجوع إلى الشركة أو الحصول على موافقتها، وتسببت هذه القطع في العطل. وإذا توقف إنتاج أي طراز مع عدم وجود البديل المناسب، فإن لشركة Black & Decker حق اختيار إصلاح المنتج أو استبداله بطراز آخر بنفس القيمة الشرائية.

عند الشراء

املاً بطاقة تسجيل الضمان مع التأكد من وجود الختم الأصلي للتاجر المعتمد (وتوضيح تاريخ الشراء) ثم ارفق إيصال الشراء بالبطاقة. الرجاء الاحتفاظ بهما لإبرازهما في حالة وجود مطالبات في المستقبل.

عملية المطالبة

خذ المنتج المعطل مع بطاقة الضمان وإيصال الشراء بنفسك إلى مركز الصيانة المحلي أو يمكنك إرساله بالبريد المدفوعة أجرته سلفاً. وفي حالة إرسال الجهاز بالبريد أو الشحن، تأكد من تفريغ المنتج من الماء كلياً وقم بتغليفه جيداً في صندوق كرتون مقوى مع إضافة مواد تغليف لملء الفراغات لتفادي إصابته بأي ضرر. ارفق ملاحظة تصف فيها المشكلة لمركز الصيانة وتأكد من كتابة عنوانك.

صُمم للاستعمالات المنزلية فقط.

BLACK & DECKER HOME APPLIANCE 2 YEAR WARRANTY

Black & Decker provides a 2 Year Warranty for this product from the date of purchase against defects due to defective materials or workmanship. Motor/element burn-outs due to voltage fluctuations are not covered under warranty. If the product should become defective within the warranty period, Black & Decker will repair or (at Black & Decker's discretion) replace it free of charge.

The warranty provisions do not cover failure due to accident, misuse, abuse, negligence or non observation of local regulations on the part of the user. Equally, the warranty provisions do not apply where the appliance has been serviced by a person not authorized by Black & Decker or serviced with non-approved parts and this has contributed to the fault of the product. Superseded models without a replacement equivalent will either be repaired or (at Black & Decker's discretion) replaced with another product of similar retail value.

UPON PURCHASE

Fill in the Warranty Registration Card with the original Authorized Dealer's stamp (indicating date of purchase) and attach your purchase receipt to it. Retain in case of claims in the future.

MAKING A CLAIM

Take your defective product together with the Warranty Registration Card & purchase receipt to your local service Centre. You can either do this in person or send it freight prepaid. If mailing or shipping your appliance, ensure that it is packed carefully in a sturdy carton with enough packing material to prevent damage. Include a note describing the problem to the service Centre and be sure to give your return address.

DESIGNED FOR DOMESTIC PURPOSES ONLY.

Names & Addresses for Black & Decker Service Concessionaries

Afghanistan: Ishan National Co., Opp. Ministry of Justice, Kabul. Tel.: +93-2-2101727. **Algeria:** SARL Outillage Corporation, 04 Route De Dely Brahim Cheraga, Alger. Tel.: +213-21-364363/508, Fax: +213-21-369667. **Bahrain:** Fawaz Al Zayani, P.O.Box 26563, Adliya, Manama. Tel.: +973-17-715252/712756, Fax: +973-17-713789. **Bangladesh:** Ultra Corporation, 8, Kushol Centre, Uttara, Dhaka 1230. Tel.: +880-2-8919272/9756 Ext.28, Fax: +880-2-9887167. **Egypt:** Anasia Egypt for Trading S. A. E., P.O.Box 2443, 110 Mostafa Refaat Street, Sheraton Heliopolis 11361, Cairo. Tel.: +20-2-2684159, Fax: +20-2-2684169. **Ethiopia:** Tewfik Sherif & Co. Ltd., P.O.Box 5583, Debre Zeit Road, Addis Ababa. Tel.: +251-1-651700/601, Fax: +251-1-650570. **India:** Gryphon Impex Pvt. Ltd., D-6/4, Okhla Industrial Area, Phase-I, New Delhi-110020. Tel.: +91-11-26372602-4, Fax: +91-11-26372601. **Iran:** Tehran - Service Centre of Iran, No 510, South Karger Ave, Below Pasteur Sq. Tehran. Tel.: +98-21-6490608/0656/6407672. **Kish Island:** Cayhan Electric Co., No. 69, Paradise Shopping Centre, Kish Island. Tel.: +98-76444-22894. **Jordan:** Bashiti Hardware, P.O.Box 1564, TLA Ali, Amman. Tel.: +962-6-5350009/4770741, Fax: +962-6-5350012/4789783. **Kenya:** Zylog Enterprises, IPS Building, Kuanda Street, P.O.Box 40877, Nairobi. Tel.: +254-2-338188/199, Fax: +254-2-330642. **Kuwait:** Al Omar Technical Co., P.O.Box 4062, 13041 Safat, Kuwait. Tel.: +965-4848595/0039, Fax: +965-4845652. **Lebanon:** Est. F.A. Kettaneh SA, P.O.Box 110242, Dora Highway, Kettaneh Building, Beirut. Tel.: +961-1-255860/6, Fax: +961-1-255891. **Libya:** El Ghoul Brothers, P.O.Box 348, Islamic Call Bldg., Office 201-202, Benghazi. Tel.: +218-61-9097681/4183, Fax: +218-61-9094123. **Madagascar:** Group Tana Confort S. A. R. L., B. P. 1770, Antananarivo. Tel.: +261-20-2264505, Fax: +261-20-2264244. **Malta:** John G. Cassar Ltd., 36 Victory Str, Qormi QRM 06, Malta. Tel.: +356-21-493251, Fax: +356-21-483231. **Mauritius:** Happy World Marketing Ltd., Block 2, Industrial Estate, Coromandel, P.O.Box 429, Port Louis. Tel.: +230-2076700, Fax: +230-2337330/7400. **Nepal:** Universal Trading Centre, P.O.Box 1947, Tripureswor, Kathmandu. Tel.: +977-1-262192/260587/785, Fax: 261154. **Nigeria:** Amin Bros. Eng. Co. Ltd., 30A (Plot 1291), Akin Adesola Street, Victoria Island, Lagos. Tel.: +234-1-3201778, Fax: +234-1-2613667. **Oman:** Oman Mktg. & Service Co., P.O.Box 2734, Ruwi, Muscat. Tel.: +968-560232, Fax: +968-560255. **Pakistan:** Karachi - Ammar Service & Spares, 60, Bank Arcade, Serai Road, Karachi. Tel.: +92-21-2426905, Fax: 2427214/5243. **Pakistan:** Lahore - Electronics Inn, 212-G Raja Centre, Main Market, Gulberg, Lahore. Tel.: +92-42-5756750. **Philippines:** Modern House International Enterprises, 213 Rizal Ave. Extension, between 2nd and 3rd Ave. Kalookan City. Tel.: +632 366-4487, Fax: +632 366-4489. **Qatar:** Al Muftah Trading & Cont., P.O.Box 875, Doha. Tel.: +974-4650880/4446868, Fax: +974-4441415. **Saudi Arabia:** Dammam - Ebrahim Fawaz Al Zayani, P.O.Box 76026, Al Raka, Dammam. Tel.: +966-3-8140914, Fax: +966-3-8140824. **Jeddah:** Anasia - P.O.Box 50959, Jeddah - 21477. Tel.: +966-2-6710014, Fax: +966-2-6725929. EAC (Al Yousuf) - P.O. Box 30377, Jeddah - 21477. Tel.: +966-2-6519912, Fax: +966-2-6511153. **Madina:** Garziz Trdg. for Bldg. Mat.&Decor., P.O.Box 3364, Madina. Tel.: +966-4-8261490/8227636, Fax: +966-4-8265741. **Riyadh:** Anasia, P.O.Box 18689, Riyadh - 11425. Tel.: +966-1-2693751, Fax: +966-1-4501178. **Yanbu:** Bin Afif, P.O.Box 530 Yanbu, Al Bahr. Tel.: +966-4-3222626/8867, Fax: +966-4-3222210. **Sri Lanka:** Delmege Gen. Equip. Pvt. Ltd., No. 428/1AT. B., Jaya Mawatha (Darley Road), Colombo-10. Tel.: +94-11-2665914, Fax: +94-11-2665915. **Sudan:** United Distribution Company, P.O.Box 325, Sayed Abdul Rehman Street, Khartoum. Tel.: +249-11-772612/777296, Fax: +249-11-770919. **Tanzania:** General Motors Investment, P. O Box 16541, 14 Vingunguti Nyerere Road, Dar Es Salaam. Tel.: +255-22-2862661/5022, Fax: +255-22-2862667/5412/3. **Tunisia:** Sfax - Techni Sud, 68, Rue d'Algerie, Sfax. Tel.: +216-4-226335. **Tunis:** Souissi Ace Home Centre, Zone Industrielle, Megrine (Saint Gobain), Z4-Tunis. Tel.: +216-1-428038, Fax: + 216-1-429540/330. **UAE:** Abu Dhabi - Light House Electric., P.O.Box 120, Abu Dhabi. Tel.: +971-2-6726131, Fax: +971-2-6720667. Dubai - Black & Decker (O) A.G., P.O.Box 5420, Dubai. Tel.: +971-4-7028234/233, Fax: +971-4-2822765. Ideal Mach. & Equipt. R. W/shop P.O.Box 37116, Al Quoz, Dubai. Tel.: +971-4-3474160, Fax: +971-4-3474157. Sharjah - McCoy Middle East LLC, P.O.Box 20228, Sharjah. Tel.: +971-6-5336321, Fax: +971-6-5336320. **Uganda:** The Building Centre, Kitgum House, 52 Station Road, P.O.Box 7436, Kampala. Tel.: +256-41-234567, Fax: +256-41-236413. **Yemen:** Aden - Middle East Trad. Co. Ltd., Mulla Dakka, Aden. Tel.: +967-2-240950, Fax: +967-2-240952. **Sana'a:** Middle East Trad. Co. Ltd., P.O.Box 12363, Hayel Street, Sana'a. Tel.: +967-1-204201, Fax: +967-1-204204. **Taiz:** Middle East Trad. Co. Ltd., Campa area near Al-Kair mosque, Taiz. Tel.: +967-4-231610/232033, Fax: +967-4-219869. **Zimbabwe:** J.D.Distributors, P.O.Box 226, 17 Bessemer Road, Graniteside, Harare. Tel.: +263-4-753913-7, Fax: 753918.



WARRANTY REGISTRATION CARD

YOUR NAME/الإسم _____

YOUR ADDRESS/العنوان _____

POSTCODE/الرمز البريدي _____

DATE OF PURCHASE/تاريخ الشراء _____

DEALER'S NAME & ADDRESS/إسم و عنوان البائع _____

PRODUCT MODEL NO. MY30PGCS